

**IS 9873 (Part 1):2019**

**RESOTECH SMALL PART TEST CYLINDER**

**MODEL NO. RESOTECH TTM-101**



Small Parts Cylinder is a steel cylinder to test if tested object would have hazards of choking, ingestion, or inhalation to children under 36 months or not.

**Application:** Small Parts Tester is used to determine whether Child-related products & other articles intended for use by children under 3 years old present choking, aspiration, or ingestion hazards because of small parts. If any objects can fit completely into the cylinder without compressing & in any orientation, it is defined as a “Small Part”. Its internal dimensions simulate the fully expanded throat of a child under 3 years old.

**Test requirement:**

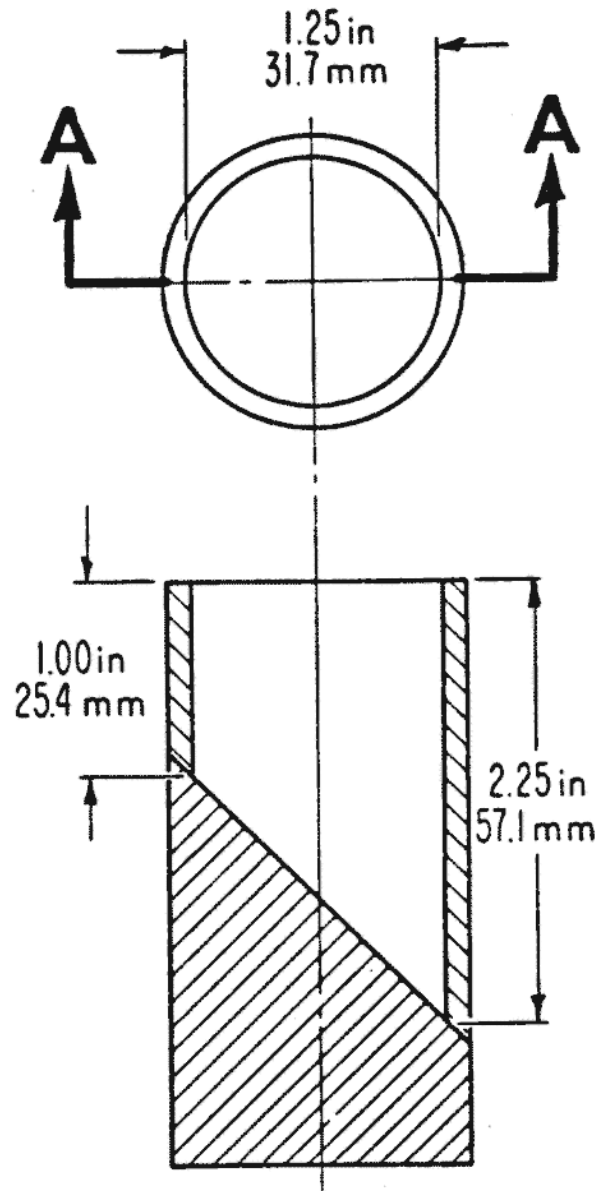
- 36 months the followings: Can't exist small spare parts on the toy.
- 37 months-72 months: Can exist small spare parts on the toy, but there must be a warning note.

---- More than 73 months: Can exist small spare parts on the toy, don't need to set the warning

**Specifications:**

Material: Stainless steel S.S.T

Test Range: Suitable for children under three years old toys



**FIGURE - SMALL PART TEST CYLINDER**